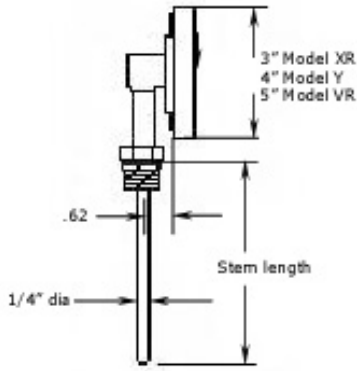


Standard Features:



- All stainless steel welded construction
- Easy to calibrate reset screw
- Accuracy $\pm 1\%$ full scale (ASME B40.3)
- Hermetically sealed (ASME B40.3)
- $^{\circ}\text{F}$, $^{\circ}\text{C}$, or dual temperature ranges from -100 $^{\circ}\text{F}$ to +1000 $^{\circ}\text{F}$ (-70 $^{\circ}\text{C}$ to +500 $^{\circ}\text{C}$)
- Corrosion resistant to most chemicals
- Standard connection thread: 1/2" NPT
- Standard stem diameter: 1/4"
- Stem lengths from 2-1/2" to 80"
- Standard lens: Glass



HOW TO ORDER

XR
025
1
F23
PS

Models Stem	Length	Connection	Temperature Ranges	Options
<p>Std Models</p> <p>XR = Model L (3" dial, reset)</p> <p>YY = Model M (5" dial, reset) (max temp 550$^{\circ}\text{F}$)</p> <p>AR = Model J (4" dial, reset)</p> <p>- Intermediate lengths available up to 80"</p> <p>-Specify length in inches + tenths</p>	<p>025 = 2.5"</p> <p>040 = 4"</p> <p>060 = 6"</p> <p>090 = 9"</p> <p>120 = 12"</p> <p>150 = 15"</p> <p>180 = 18"</p> <p>240 = 24"</p> <p>300 = 30"</p> <p>360 = 36"</p>	<p>Std Threaded</p> <p>1 = 1/2" NPT</p> <p>4 = 1/4" NPT</p> <p>5 = 3/4" NPT</p>	<p style="text-align: center;">Fahrenheit Ranges</p> <p>F23 = -40 TO 160$^{\circ}\text{F}$</p> <p>F55* = 25 TO 125$^{\circ}\text{F}$</p> <p>F43 = 0 TO 200$^{\circ}\text{F}$</p> <p>F47 = 0 TO 250$^{\circ}\text{F}$</p> <p>F63 = 50 TO 300$^{\circ}\text{F}$</p> <p>F67 = 50 TO 500$^{\circ}\text{F}$</p> <p>F81 = 150 TO 750$^{\circ}\text{F}$</p> <p>F85 = 200 TO 1000$^{\circ}\text{F}$</p> <p style="text-align: center;">Celsius Ranges</p> <p>C23 = -40 TO 70$^{\circ}\text{C}$</p> <p>C55* = 0 TO 50$^{\circ}\text{C}$</p> <p>C43 = 0 TO 100$^{\circ}\text{C}$</p> <p>C47 = -20 TO 120$^{\circ}\text{C}$</p> <p>C59 = 0 TO 150$^{\circ}\text{C}$</p> <p>C67 = 0 TO 250$^{\circ}\text{C}$</p> <p>C81 = 0 TO 400$^{\circ}\text{C}$</p> <p>C85 = 100 TO 500$^{\circ}\text{C}$</p> <p style="text-align: center;">Dual F/C Ranges</p> <p>D23 = -40 TO 160$^{\circ}\text{F}$ & -40 TO 70$^{\circ}\text{C}$</p> <p>D55* = 25 TO 125$^{\circ}\text{F}$ & 0 TO 50$^{\circ}\text{C}$</p> <p>D43 = 0 TO 200$^{\circ}\text{F}$ & 0 TO 100$^{\circ}\text{C}$</p> <p>D47 = 0 TO 250$^{\circ}\text{F}$ & -20 TO 120$^{\circ}\text{C}$</p> <p>D63 = 50 TO 300$^{\circ}\text{F}$ & 10 TO 150$^{\circ}\text{C}$</p> <p>D67 = 50 TO 500$^{\circ}\text{F}$ & 0 TO 250$^{\circ}\text{C}$</p> <p>D81 = 150 TO 750$^{\circ}\text{F}$ & 0 TO 400$^{\circ}\text{C}$</p> <p>D85 = 200 TO 1000$^{\circ}\text{F}$ & 100 TO 500$^{\circ}\text{C}$</p> <p>*-Not available in 2.5" stem.</p>	<p>PS = Pointed Stem</p> <p>SF = Silicone Fill</p> <p>SS = 316 SS Stem</p> <p>F3 = 3/8" dia. Stem</p> <p>PC = Acrylic Window</p> <p>PY = Polycarbonate Window</p> <p>TG = Tempered Glass Window</p> <p>MM = Max/Min Pointer</p>